

# BRIDGESTONE

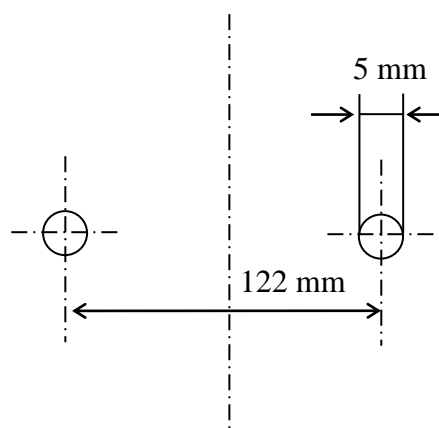
## Tyre Specifications

Manufacturer	Bridgestone Corporation
Model / Type	7.1/11.0-5 DR11 YLR ROK
Number of Pages	4

This specification sheet is a reproduction of the illustrations and dimensions of the tyre tendered for approval. If this tyre is accepted the manufacturer will NOT modify in any way.



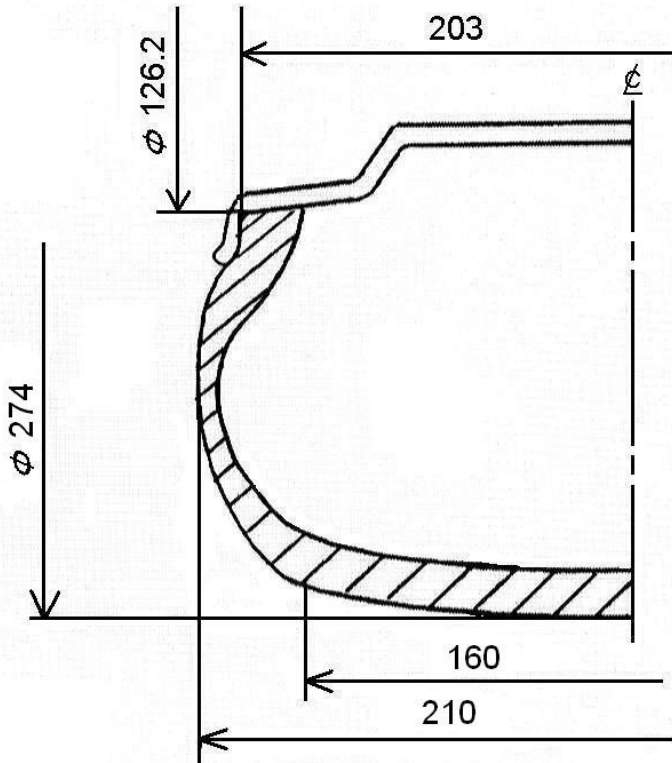
PHOTO OF TYRE



TREAD DESIGN DRAWING

<b>TECHNICAL INFORMATION</b>	<b>FACTS</b>	<b>TOLERANCES</b>
Dimensions	7.1/11.0-5	-
Load capacity	800 N	Max
Maximum speed	200 km/h	Max
Service pressure	0.8 bar	+/- 0.3 bar
Tread compound designation	YLR ROK	-
Depth of tread	3.0 mm	+/- 0.5 mm
Weight	1634 g	+/- 10 %
Number of ply	2	-
Number of tread wear indicators	8	-
Maximum inflation pressure	4.0 bar	Max
Carcass material	Polyester	-
Angle of tyre canvas	29°	+/- 3°
Tubeless tyre	Yes	-
IRHD hardness	42	+/- 5

**Drawing of tyre cross section and ideal rim dimensions.**





**Tolerances**

210	+ - 5.0
160	+ - 5.0
274	+ - 7.0
126.2	+ - 0.3
203	+ - 1.0

**Remarks**

--

Only inscriptions, which do not change during production, are mentioned.		
Inscriptions on side wall – <b>OUTSIDE</b>		
Text	Height	Stroke
ROK 7.1/11.0-5	6.3 mm	2.0 mm
DR11	3.2 mm	0.3 mm
TUBELESS	4.0 mm	0.5 mm
MADE IN JAPAN	3.2 mm	0.3 mm
FOR RACING PURPOSE ONLY	4.0 mm	0.5 mm
MAX. INFLATION PRESSURE 400 kPa	4.0 mm	0.5 mm
(MOLD No.)	3.2 mm	0.3 mm
BRIDGESTONE(PRINT)	18.0 mm	2-6 mm
	8.0 mm	
BAR CODE	10 mm	31 mm
Inscriptions on side wall - <b>INSIDE</b>		
Text	Height	Stroke
7.1/11.0-5	6.3 mm	2.0 mm
DR11	3.2 mm	0.3 mm
TUBELESS	4.0 mm	0.5 mm
MADE IN JAPAN	3.2 mm	0.3 mm
YLR	5.0 mm	2.0 mm
FOR RACING PURPOSE ONLY	4.0 mm	0.5 mm
MAX. INFLATION PRESSURE 400 kPa	4.0 mm	0.5 mm
(MOLD No.)	3.2 mm	0.3 mm
BRIDGESTONE	12.5 mm	2-5 mm
	8.0 mm	
BAR CODE	10 mm	31 mm