

# BRIDGESTONE

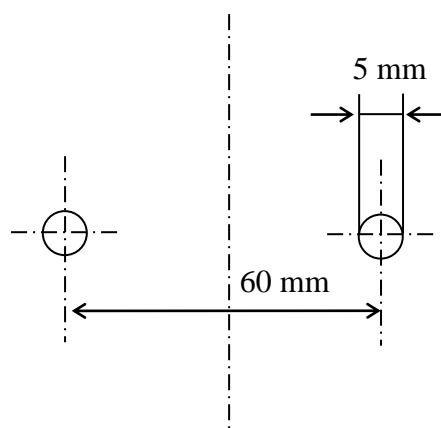
## Tyre Specifications

Manufacturer	Bridgestone Corporation
Model / Type	5.0/11.0-5 YJL
Number of Pages	4

This specification sheet is a reproduction of the illustrations and dimensions of the tyre.



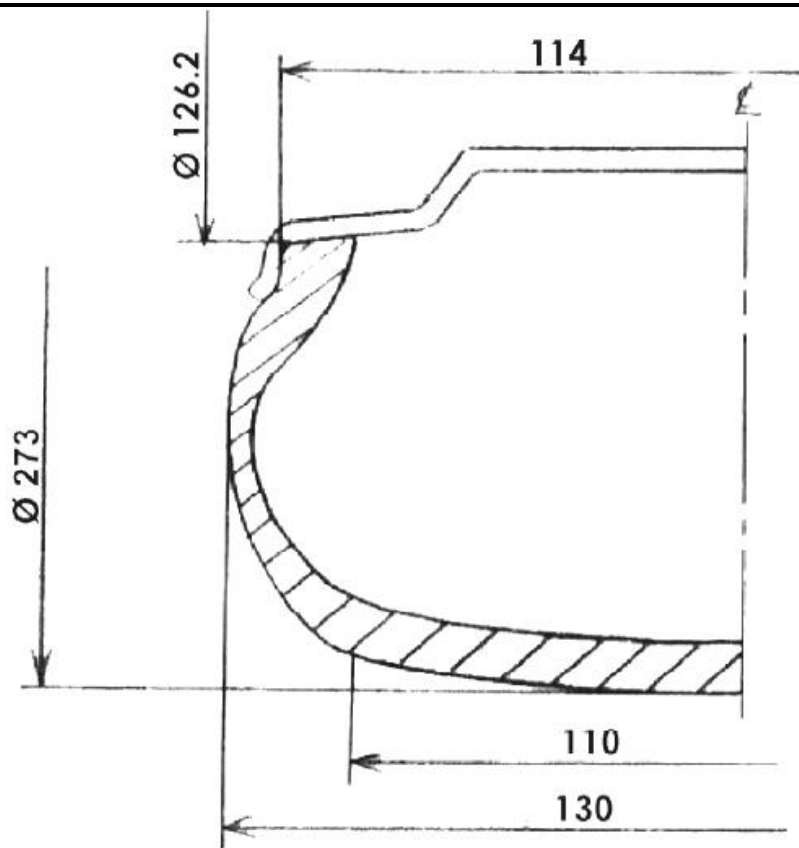
PHOTO OF TYRE



TREAD DESIGN DRAWING

<b>TECHNICAL INFORMATION</b>	<b>FACTS</b>	<b>TOLERANCES</b>
Dimensions	5.0/11.0-5	-
Service pressure	1.0 bar	+/- 0.3 bar
Tread compound designation	YJL	-
Depth of tread	4.0 mm	+/- 0.5 mm
Weight	1198 g	+/- 10 %
Number of ply	2	-
Number of tread wear indicators	8	-
Maximum inflation pressure	4.0 bar	-
Carcass material	Polyester	-
Angle of tyre canvas	29°	+/- 3°
Tubeless tyre	Yes	-
IRHD hardness	50	+/- 5

**Drawing of tyre cross section and ideal rim dimensions.**



Tolerances	
130	+ - 5.0
110	+ - 5.0
273	+ - 7.0
126.2	+ - 0.3
114	+ - 1.0

**Remarks**

Only inscriptions, which do not change during production, are mentioned.		
Inscriptions on side wall – <b>OUTSIDE</b>		
Text	Height	Stroke
50/11.0-5	6.3 mm	2.0 mm
DR1	3.2 mm	0.3 mm
TUBELESS	4.0 mm	0.5 mm
MADE IN JAPAN	3.2 mm	0.3 mm
YJL	4.0 mm	0.5 mm
FOR RACING PURPOSE ONLY	4.0 mm	0.5 mm
MAX. INFLATION PRESSURE 4.0 KG/CM2 (MOLD No.)	4.0 mm	0.5 mm
BRIDGESTONE(PRINT)	3.2 mm	0.3 mm
ROTATION	18.0 mm	2-6 mm
	4.0 mm	0.3 mm
	8.0 mm	0.3 mm
BAR CODE	10 mm	31 mm
Inscriptions on side wall - <b>INSIDE</b>		
Text	Height	Stroke
5.0/11.0-5	6.3 mm	2.0 mm
DR1	3.2 mm	0.3 mm
TUBELESS	4.0 mm	0.5 mm
MADE IN JAPAN	3.2 mm	0.3 mm
YJL	5.0 mm	2.0 mm
FOR RACING PURPOSE ONLY	4.0 mm	0.5 mm
MAX. INFLATION PRESSURE 4.0 KG/CM2 (MOLD No.)	4.0 mm	0.5 mm
BRIDGESTONE	3.2 mm	0.3 mm
ROTATION	12.5 mm	2-5 mm
	4.0 mm	0.3 mm
	8.0 mm	0.3 mm
BAR CODE	10 mm	31 mm