

# BRIDGESTONE

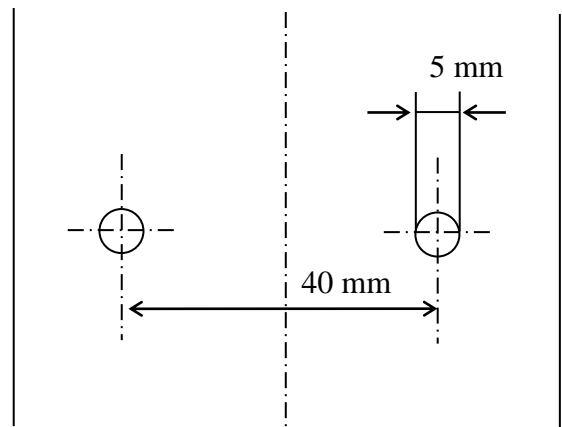
## Tyre Specifications

Manufacturer	Bridgestone Corporation
Model / Type	4.0/10.0-5 DR1 YJL
Number of Pages	4

This specification sheet is a reproduction of the illustrations and dimensions of the tyre.



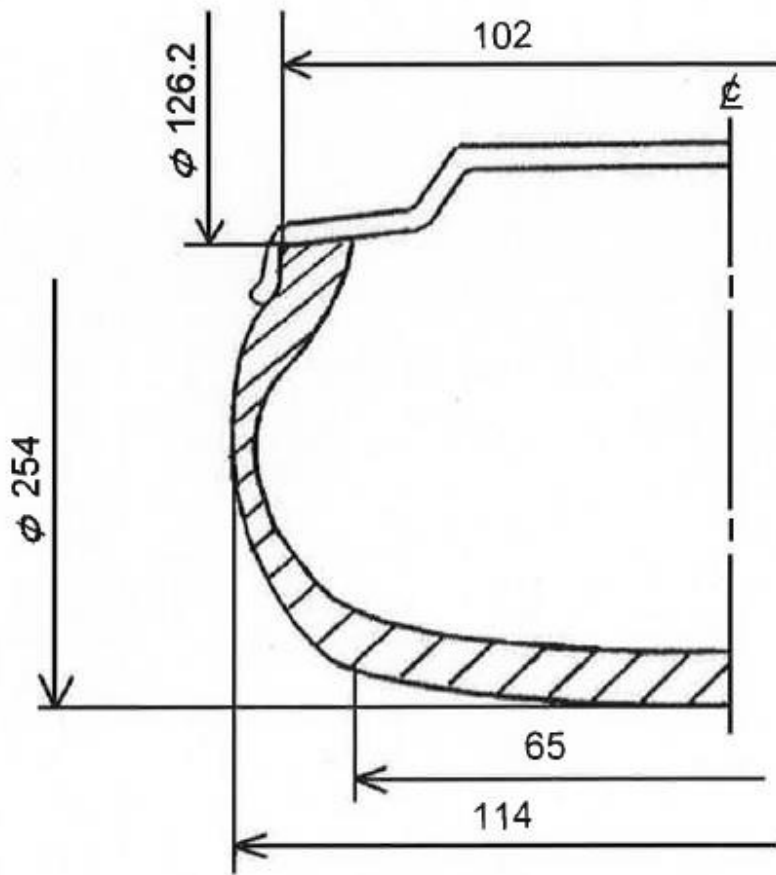
PHOTO OF TYRE



TREAD DESIGN DRAWING

<b>TECHNICAL INFORMATION</b>	<b>FACTS</b>	<b>TOLERANCES</b>
Dimensions	4.0/10.0-5	-
Service pressure	1.0 bar	+/- 0.3 bar
Tread compound designation	YJL	-
Depth of tread	4.0 mm	+/- 0.5 mm
Weight	924 g	+/- 10 %
Number of ply	2	-
Number of tread wear indicators	6	-
Maximum inflation pressure	4.0 bar	-
Carcass material	Polyester	-
Angle of tyre canvas	30°	+/- 3°
Tubeless tyre	Yes	-
IRHD hardness	50	+/- 5

**Drawing of tyre cross section and ideal rim dimensions.**

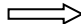
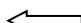
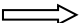
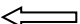


**Tolerances**

114	+ - 5.0
65	+ - 5.0
254	+ - 7.0
126.2	+ - 0.3
102	+ - 1.0

**Remarks**

--

Only inscriptions, which do not change during production, are mentioned.		
Inscriptions on side wall – <b>OUTSIDE</b>		
Text	Height	Stroke
4.0/10.0-5	6.3 mm	2.0 mm
TUBELESS	4.0 mm	0.5 mm
MADE IN JAPAN	3.2 mm	0.3 mm
YJL	5.0 mm	1.5 mm
FOR RACING PURPOSE ONLY	4.0 mm	0.5 mm
MAX. INFLATION PRESSURE 4.0 KG /CM2	4.0 mm	0.5 mm
(MOLD No.)	3.2 mm	0.3 mm
BRIDGESTONE(PRINT)	18.0 mm	2-6 mm
REAR 	4.0 mm	0.3mm
FRONT 	4.0 mm	0.3 mm
BAR CODE	10 mm	31 mm
Inscriptions on side wall - <b>INSIDE</b>		
Text	Height	Stroke
4.0/10.0-5	6.3 mm	2.0 mm
TUBELESS	4.0 mm	0.5 mm
MADE IN JAPAN	3.2 mm	0.3 mm
FOR RACING PURPOSE ONLY	4.0 mm	0.5 mm
MAX. INFLATION PRESSURE 4.0 KG/CM2	4.0 mm	0.5 mm
(MOLD No.)	3.2 mm	0.3 mm
BRIDGESTONE	12.5 mm	2-5 mm
FRONT 	4.0 mm	0.3 mm
REAR 	4.0 mm	0.3 mm
BAR CODE	10 mm	31 mm